

# 5MP Fixed IR Turret Analog Camera

UAC-T115-AF28(40)



## Introduction

UAC-T115-AF28(40) is a 5MP fixed IR turret analog camera with a high-performance 1/2.7-inch CMOS sensor. It supports TVI/AHD/CVI/CVBS, which effectively enhances product adaptability and diversity of networking solutions. With SYV-75-3 or other coaxial cable types, the camera can achieve low-cost, long-distance, and anti-interference mega-pixel HD video transmission without time delay. It supports IR-cut filter with auto-switch (ICR) and provides color images at daytime and black/white images at night. The camera also supports audio input and synchronous transmission of audio and video.

## Features

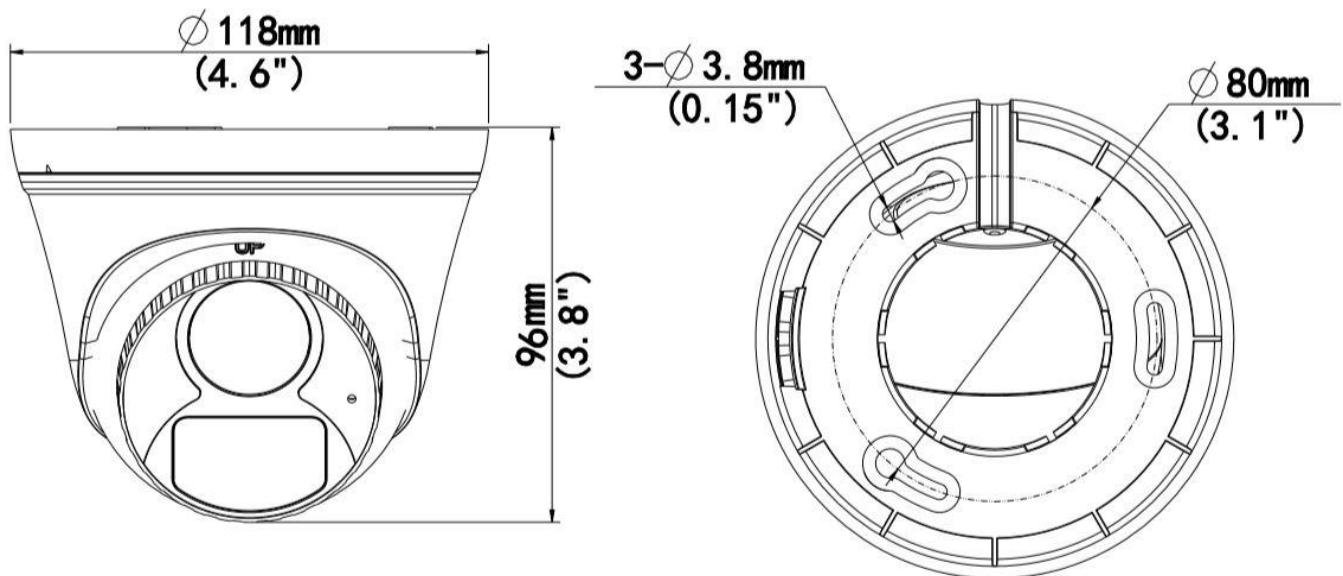
- 5MP high quality image
- TVI/AHD/CVI/CVBS
- Supports IR-cut filter with auto-switch (ICR)
- Supports 180° horizontal flip, 180° vertical flip
- OSD configuration menu, easy to operate
- IP67 waterproof and dustproof design, high reliability
- OSD configuration menu in 11 languages
- Built-in microphone for high quality audio transmission via coaxial cables

## Specifications

Model	UAC-T115-AF28	UAC-T115-AF40
<b>Sensor</b>		
Pixel	5MP	
Size	1/2.7"	
Minimum illumination	0.02 lux (F2.0, AGC ON) 0 lux (IR ON)	
<b>Lens</b>		
Lens	2.8mm	4.0mm
Lens mount	M12	
Angle of view	H: 102.2° V: 53.9° D: 124.8°	H: 82.9° V: 46.1° D: 100.0°
<b>Illuminator</b>		
Illuminator	One IR illuminator	
Illumination distance	20m	
Lifetime	≥60,000 hours	
<b>Video</b>		
Resolution	5MP@25fps: 2880(H)×1620(V); 5MP@20fps: 2592(H)×1944(V); 5MP@12.5fps: 2592(H)×1944(V) 4MP: 2560(H)×1440(V) 1080P: 1920(H)×1080(V)	
Frame rate	TVI: 5MP@20fps (default), 5MP@12.5fps, 4MP@25fps, 4MP@30fps, 1080P@25fps, 1080P@30fps AHD: 5MP@20fps, 4MP@25fps, 4MP@30fps, 1080P@25fps, 1080P@30fps CVI: 5MP@25fps, 4MP@25fps, 4MP@30fps, 1080P@25fps, 1080P@30fps CVBS: PAL, NTSC	
Shutter time	PAL: 1/25s-1/50000s NTSC: 1/30s-1/50000s	
<b>Image</b>		
Exposure mode	Four modes: Global (default), BLC, HLC, DWDR	
Day/Night	Three modes: Auto (default), Day, Night	
Digital noise reduction	2D	
White balance	Two modes: Auto (default), Manual	
WDR	DWDR	
Smart IR	Support	
Flip	Supports 180° horizontal flip, 180° vertical flip	
Defog	N/A	
<b>Audio</b>		
Microphone	Built-in Mic	
Camera audio	TVI: 5MP@20fps, 5MP@12.5fps, 4MP@25fps, 4MP@30fps, 1080P@25fps, 1080P@30fps CVI: 5MP@25fps, 4MP@25fps, 4MP@30fps	
<b>Interface</b>		
Power	5.5mm power interface	
Video output	BNC, supports TVI/AHD/CVI/CVBS	
<b>Operating environment</b>		
Temperature	-30°C to 60°C (-22°F to 140°F)	
Humidity	≤95% (RH, non-condensing)	

Surge protection	4kV
<b>General</b>	
Power	DC 12V ( $\pm 25\%$ ), with reverse polarity protection, Max 3.3W
Mount	Surface mount (default), optional backbox, wall mount bracket, pole mount bracket
Dimensions	$\Phi 118\text{mm} \times 96\text{mm}$ (diameter*height)
Material	Plastic
Weight	183g (0.40lb)
OSD menu language	11 Languages English, German, Spanish(Latin America), French, Italian, Japanese, Korean, Polish, Portuguese(Brazil), Russian, Turkish
<b>Certification</b>	
EMC	CE-EMC (EN 55032, EN 61000-3-3, EN IEC 61000-3-2, EN 55035) FCC (FCC 47 CFR part 15 B)
Safety	CE-LVD (EN 62368-1)
Environment	CE-RoHS (2011/65/EU; (EU)2015/863); WEEE (2012/19/EU)
Protection	IP67 (IEC 60529)

## Dimensions



UAC-T115-AF28(40)

## Accessories

TR-JB03-I-IN

Junction Box

TR-JB07/WM03-G-IN

Wall Mount

TR-WM03-D-IN

Wall Mount

TR-WM07P-B

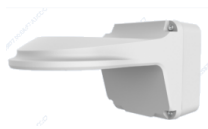
Wall Mount

TR-A01-IN

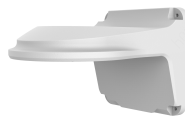
Waterproof Joint



TR-UP06-IN  
Pole Mount



TR-UC08-C  
Corner Mount



TR-SE24-A-IN  
Pendant Mount



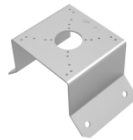
TR-CM24-IN  
Pendant Mount



TR-SE24-IN  
Pendant Mount



PWR-DC1201A-UK  
Wall Plug-in UK  
Power Adapter



PWR-DC1201A-US  
Wall Plug-in US  
Power Adapter

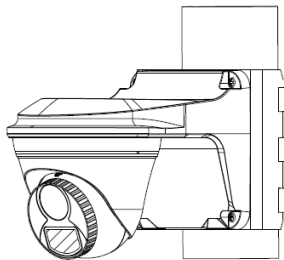


PWR-DC1201A-EU  
Wall Plug-in EU  
Power Adapter

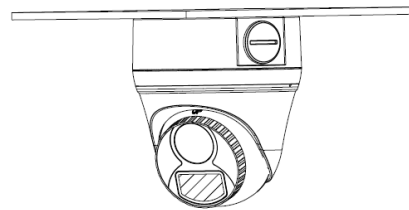


Mount

TR-JB07/WM03-G-IN(TR-WM03-D-IN)+TR-UP06-IN



TR-JB03-I-IN



TR-JB07/WM03-G-IN(TR-WM03-D-IN)+TR-UC08-C

TR-CM24-IN+TR-JB03-I-IN

<p>TR-WM07P-B</p>	<p>TR-JB07/WM03-G-IN(TR-WM03-D-IN)</p>

**Zhejiang Uniview Technologies Co., Ltd.**

Building No. 369, Xietong Road, Xixing Sub-district, Binjiang District, Hangzhou City, Zhejiang Province, China (310051)

Email: [overseasbusiness@uniview.com](mailto:overseasbusiness@uniview.com); [globalsupport@uniview.com](mailto:globalsupport@uniview.com)

<https://www.uniview.com>

©2023 Zhejiang Uniview Technologies Co., Ltd. All rights reserved.

\*Product specifications and availability are subject to change without notice.